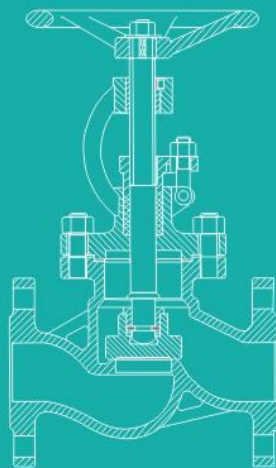




# 截止阀系列

## *GLOBE VALVE SERIES*



## GB GLOBE VALVE 国标截止阀

### 结构优势与特点 Structural advantages and characteristics

- 1、产品设计制造按国家标准GB 12235,结构合理,密封可靠,性能优良,造型美观。
- 2、阀瓣、阀座密封面用铁基合金堆焊或司太立 (stellite) 钴基硬质合金堆焊而成,耐磨、耐高温、耐腐蚀、抗擦伤性能好、使用寿命长。
- 3、阀杆经调质及表面氮化处理,有良好的抗腐蚀性和抗擦伤性。
- 4、可采用各种配管法兰标准及法兰密封面型式,满足各种工程需要和用户要求。
- 5、阀体材料品种齐全,填料、垫片可根据实际工况或用户要求合理选配,能适用与各种压力、温度及介质工况。
- 6、倒密封采用螺纹连接密封座或本体堆焊不锈钢而成,密封可靠,填料更换可在不停机情况下进行方便快捷不影响系统运行。

- 1、The product designed and manufactured according to national standard GB 12235, reasonable structure, reliable sealing, excellent performance and beautiful shape.
- 2、Flap valve, the valve seat sealing surface of iron based alloy or stellite (stellite) made of cobalt-based alloy welding, wear-resistant, high temperature, corrosion, anti-abrasion performance, long life.
- 3、Stem quenched and the nitrogen treatment, with good resistance to corrosion and scratch resistance.
- 4、Can be used with a variety of standard pipe flanges and flange sealing surface types to meet various project needs and user requirements.
- 5、Body material variety, packing, gasket can be based on actual working conditions or the user requests a reasonable option, can be applied with all kinds of pressure, temperature and medium conditions.
- 6、Sealed with screw connection seal back seat or body made of stainless steel welding, sealing and reliable replacement of filling in non-stop convenient and efficient manner does not affect system operation.

### 标准与规范 Standards and norms

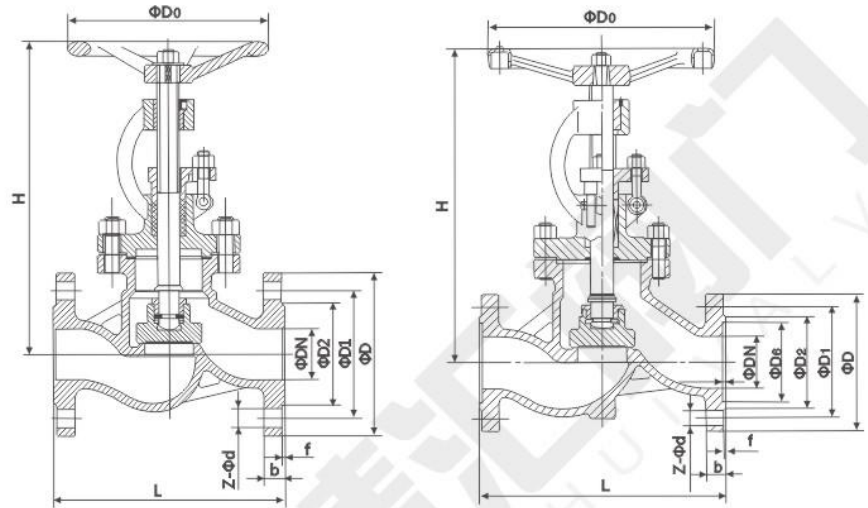
设计与制造 Design and Manufacture	结构长度 Structure Length	压力、温度等级 Pressure、 temperature rating	连接法兰 Connecting flange	检验与试验 Test and Inspection
GB 12235	GB 12221	GB 12224	JB/T 79/82~1994 GB 9113 HG 20592-20635	JB/T 9092-1999 GB 13927

### 主要零件材料 Main components material

名称 Name	材料 Material								
阀体/阀盖 Body/Bonnet	CF8	CF3	CF8M	CF3M	WCB	LCB	WC6	WC9	C5
阀瓣 Wedge	CF8	CF3	CF8M	CF3M	WCB	LCB	WC6	WC9	C5
阀杆 Stem	F304	F304L	F316	F316L	2CR13	F304	F304	F304	F304
阀杆螺母 Stem Nut	铝青铜 Aluminium Bronze								
填料 Packing	PTFE/柔性石墨				石墨 Graphite				
垫片 Gasket	PTFE/金属缠绕垫				石墨 Graphite				
压盖 Gland	CF8	CF3	CF8M	CF3M	WCB	LCB	WC6	WC9	C5
螺栓 Bolt					35CrMoA				
螺母 Nut	不锈钢 Stainless Steel				45、35CrMoA				
手轮 Handwheel	不锈钢 Stainless Steel				铸钢 Cast Steel				

GB GLOBE VALVE  
国标截止阀

J41 W - 1.6  
Y - 2.5 C, I, P, R  
4.0



JB/T79.1-1994  
JB/T79.2-1994

PN16 国标截止阀

公称通径 DN(mm)	尺寸Size(mm)									
	L	D	D1	D2	D6	b-f	f2	Z-φd	H	D0
10	130	90	60	40	/	14-2	/	4-14	198	120
15	130	95	65	45	/	14-2	/	4-14	218	120
20	150	105	75	55	/	14-2	/	4-14	230	140
25	160	115	85	65	/	14-2	/	4-14	240	160
32	180	135	100	78	/	16-2	/	4-18	250	180
40	200	145	110	85	/	16-3	/	4-18	262	200
50	230	160	125	100	/	16-3	/	4-18	280	240
65	290	180	145	120	/	18-3	/	4-18	327	280
80	310	195	160	135	/	20-3	/	8-18	355	280
100	350	215	180	155	/	20-3	/	8-18	415	320
125	400	245	210	185	/	22-3	/	8-18	460	360
150	480	280	240	210	/	24-3	/	8-23	510	400
200	600	335	295	265	/	26-3	/	12-23	588	400
250	650	405	355	320	/	30-3	/	12-25	725	450
300	750	460	410	375	/	30-4	/	12-25	925	500
350	850	520	470	435	/	34-4	/	16-25	1030	600
400	950	580	525	485	/	36-4	/	16-30	1170	700
450	1050	640	585	545	/	40-4	/	20-30	1220	800
500	1150	705	650	608	/	44-4	/	20-34	1410	900
600	1350	840	770	718	/	48-5	/	20-41	1610	1000

## GB GLOBE VALVE 国标截止阀

JB/T79.4-1994  
JB/T79.2-1994

### PN25 国标截止阀

公称通径 DN(mm)	尺寸Size(mm)									
	L	D	D1	D2	D6	b-f	f2	Z-Φd	H	D0
10	130	90	60	40	/	16-2	/	4-Φ14	198	120
15	130	95	65	45	/	16-2	/	4-Φ14	218	120
20	150	105	75	55	/	16-2	/	4-Φ14	258	140
25	160	115	85	65	/	16-2	/	4-Φ14	275	160
32	180	135	100	78	/	18-2	/	4-Φ18	280	180
40	200	145	110	85	/	18-3	/	4-Φ18	330	200
50	230	160	120	100	/	20-3	/	4-Φ18	350	240
65	290	180	145	120	/	22-3	/	8-Φ18	400	280
80	310	195	160	135	/	22-3	/	8-Φ18	355	280
100	350	230	190	160	/	24-3	/	8-Φ23	415	320
125	400	270	220	188	/	28-3	/	8-Φ25	460	360
150	480	300	250	218	/	30-3	/	8-Φ25	510	400
200	600	360	310	278	/	34-3	/	12-Φ25	710	400
250	650	425	370	332	/	36-3	/	12-Φ30	786	450
300	750	485	430	390	/	40-4	/	16-Φ30	925	500
350	850	550	490	448	/	44-4	/	16-Φ34	1030	600
400	950	610	550	505	/	48-4	/	16-Φ41	1170	700

### PN40 国标截止阀

10	130	90	60	40	35	16-2	4	4-Φ14	198	120
15	130	95	65	45	40	16-2	4	4-Φ14	233	120
20	150	105	75	55	51	16-2	4	4-Φ14	275	140
25	160	115	85	65	58	16-2	4	4-Φ14	285	160
32	180	135	100	78	66	18-2	4	4-Φ18	302	180
40	200	145	110	85	76	18-3	4	4-Φ18	355	200
50	230	160	125	100	88	20-3	4	4-Φ18	373	240
65	290	180	145	120	110	22-3	4	8-Φ18	408	280
80	310	195	160	135	121	22-3	4	8-Φ18	436	320
100	350	230	190	160	150	24-3	4.5	8-Φ23	480	360
125	400	270	220	188	176	28-3	4.5	8-Φ25	558	400
150	480	300	250	218	204	30-3	4.5	8-Φ25	611	400
200	600	375	320	282	260	38-3	4.5	12-Φ30	720	400
250	650	445	385	345	313	42-3	4.5	12-Φ34	665	500
300	750	510	450	408	364	46-4	4.5	16-Φ34	720	550
350	850	570	510	465	422	54-4	5	16-Φ34	860	600
400	950	655	585	535	474	58-4	5	16-Φ41	1010	700

### PN63 国标截止阀

10	170	100	70	50	35	18-2	4	4-Φ14	198	120
15	170	105	75	55	40	18-2	4	4-Φ14	195	140
20	190	125	90	68	51	20-2	4	4-Φ18	228	160
25	210	135	100	78	58	22-2	4	4-Φ18	275	180
32	230	150	110	82	66	24-2	4	4-Φ23	325	200
40	260	165	125	95	76	24-3	4	4-Φ23	360	240
50	300	175	135	105	88	26-3	4	4-Φ23	410	280
65	340	200	160	130	110	28-3	4	8-Φ23	450	320
80	380	210	170	140	121	30-3	4	8-Φ23	485	360
100	430	250	200	168	150	32-3	4.5	8-Φ25	537	400
125	500	295	240	202	176	36-3	4.5	8-Φ30	631	400
150	550	340	280	240	204	38-3	4.5	8-Φ34	646	450
200	650	405	345	300	260	44-3	4.5	12-Φ34	813	500
250	775	470	400	352	313	48-3	4.5	12-Φ41	985	550
300	900	530	460	412	364	54-4	4.5	16-Φ41	1214	600
350	1025	595	525	475	422	60-4	5	16-Φ41	1432	650
400	1150	670	585	525	474	66-4	5	16-Φ48	1650	700

## API GLOBE VALVE 美标截止阀

### J41 W -150Lb

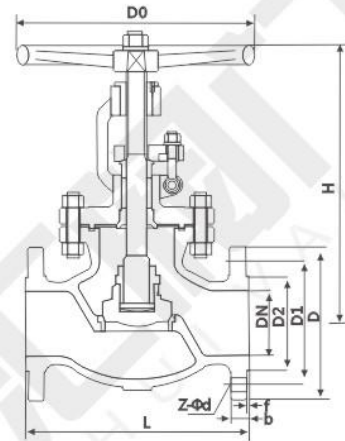
#### 产品概述 Products overview

美标截止阀主要有API和ASME标准，ASTM，ASTM是材料标准，不是阀门本身的标准；按美国标准设计，制造，生产、检测的截止阀叫美标截止阀。

American standard cut-off valve mainly include API and ASME standard, ASTM, ASTM material standard, not the standard valve itself; According to the American standard design, manufacturing, production, testing, the cut-off valve American standard cut-off valve.

#### 产品优点 Product advantages

1. 流体阻力小，其阻力系数与同长度的管段相等。
  2. 结构简单、体积小、重量轻。
  3. 紧密可靠，目前闸阀的密封面材料广泛使用塑料，密封性好，在真空系统中也已广泛使用。
  4. 操作方便，开闭迅速，从全开到全关只要旋转90°，便于远距离的控制。
  5. 维修方便结构简单，密封圈一般都是活动的，拆卸更换都比较方便。
  6. 在全开或全闭时，阀体和阀座的密封面与介质隔离，介质通过时，不会引起阀门密封面的侵蚀。
  7. 适用范围广，通径从小到几毫米，大到几米，从高真空至高压力都可应用，球旋转90度时，在进出口处应全部呈现球面，从而截断流动。
1. The fluid resistance is small, its resistance coefficient with section of equal length.
  2. Simple structure, small volume, light weight.
  3. Compact and reliable, the gate valve sealing surface of materials widely used plastic, sealing is good, have been widely used in the vacuum system.
  4. Easy to operate, open and close quickly, from open to close just rotate 90°, is advantageous for the remote control.
  5. Easy maintenance structure is simple, sealing ring, which generally remove replacement is more convenient.
  6. In the fully open or fully closed, the valve body and seat sealing surface and the dielectric isolation, medium through, does not cause the valve sealing surface erosion.
  7. Applicable scope is wide, size from small to several millimeters, big to a few meters, from high vacuum to high pressure can be applied, the ball rotate 90 degrees, in the inlet and outlet should be completely present spherical, thereby cutting flow.



#### 标准 Standard

设计与制造	结构长度	法兰尺寸	对焊连接尺寸	压力-温度	试验-检验
ANSI B16.34 BS1873	ANSI B16.10	ANSI B16.5	ANSI B16.25	ANSI B16.34	API 598

#### 压力试验 Pressure test

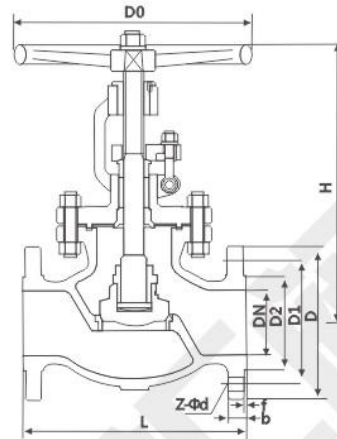
公称压力 PN(Lb)	强度试验		水密封试验		气密封试验	
	MPa	Lbf/in2	MPa	Lbf/in2	MPa	Lbf/in2
150	3.0	430	2.2	315	0.4-0.7	60-100
300	7.7	1110	5.7	815		
600	15.3	2220	11.3	1630		
900	23.0	3330	17.0	2445		
1500	38.4	5560	28.2	4080		
2500	64.0	9255	47.0	6790		

#### 主要零件材料及性能 Major parts material and the performance

体盖	阀杆	密封面	垫片(环)	填料	工作温度	适用介质
WCB	2Cr13	CF8/13Cr/STL 本体材料/尼龙	增强柔性石墨 13Cr/柔性石墨 SFB-2 08软钢 F304 F316 F304L F316L	柔性石墨 增强柔性石墨	≤ 425	水蒸汽油品
WC1	38CrMoAl 25Cr2MoV				≤ 425	
WC6					≤ 540	
WC9					≤ 570	
C5 C12					≤ 540	
CF8					F304	≤ 200
CF8M	F316					
CF3	F304L					
CF3M	F316L					

注：电动或齿轮传动，价格另计。 Note: Electric or gear drive, the price extra.

**API GLOBE VALVE**  
美标截止阀



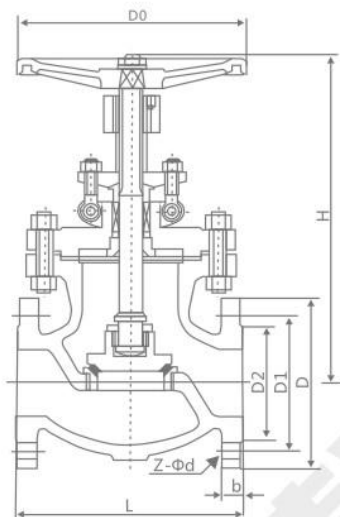
**Class 150Lb 法兰(RF)主要尺寸(mm)**

DN		L	D	D1	D2	b	N-φd	H	D0
mm	in								
15	1/2	108	89	60.5	35	11.2	4-16	241	100
20	3/4	117	98	69.9	43	12.7	4-16	241	100
25	1	127	108	79.2	51	14.2	4-16	242	125
32	1 1/4	140	117	89	63	16	4-16	280	160
40	1 1/2	165	127	98.6	73	17.5	4-16	286	160
50	2	203	152	120.7	92	19	4-19	368	200
65	2 1/2	216	178	139.7	105	22.4	4-19	387	200
80	3	241	190	152.4	127	24	4-19	411	250
100	4	292	229	190.5	157	24	4-19	454	250
125	5	356	254	216.0	186	24	8-22.5	455	350
150	6	406	279	241.3	216	25.4	8-22.5	541	350
200	8	495	343	298.5	270	28.4	8-22.5	651	450
250	10	622	406	362.0	324	30.2	12-25.4	800	450
300	12	698	483	431.8	381	32	12-25.4	1231	600
350	14	787	533	476.3	413	35	12-29	1450	600
400	16	914	597	539.8	470	36.6	16-29	1645	600

**Class 300Lb 法兰(RF)主要尺寸(mm)**

DN		L	D	D1	D2	B	N-φd	H	D0
mm	in								
15	1/2	152	95	66.5	35	14.2	4-16	241	140
20	3/4	178	117	82.5	43	16	4-19	241	140
25	1	203	123	89	51	17.5	4-19	283	160
32	1 1/4	216	133	98.5	63	19	4-19	320	200
40	1 1/2	229	155	114.3	73	20.6	4-22.5	322	200
50	2	267	165	127	92	22.4	8-19	399	200
65	2 1/2	292	190	149.4	105	25.4	8-22.5	438	250
80	3	318	210	168.1	127	28.4	8-22.5	464	280
100	4	356	254	200.2	157	31.8	8-22.5	565	350
125	5	400	279	235	186	35	8-22.5	614	350
150	6	444	318	269.7	216	36.6	12-25.4	717	400
200	8	559	381	330.2	270	41.2	12-25.4	930	500
250	10	622	444	387.4	324	47.8	16-28.5	1012	550
300	12	711	521	450.8	381	50.8	16-32	1231	600
350	14	838	584	514.4	413	54	20-32	1450	600
400	16	864	648	571.5	470	57.2	20-35	1645	600

## JIS GLOBE VALVE 日标截止阀



### 执行标准 Execution standard

设计与制造	结构长度	法兰尺寸	压力-温度	试验-检验
JIS B2071 B2081	JIS B2002	JIS B2212 B2214	JIS B2071 B2081	JIS B2003

### 性能规范 The performance specification

阀体材料	SCPH2-11	SCPH-32	SCS13A	SCS19A	SCS14A	SCS16A	SCPL1
适用温度	≤425°C	≤540°C	≤275°C	≤200°C	≤275°C	≤200°C	-45~-150°C
适用介质	水蒸气油品		硝酸类		醋酸类		氨气液氨

### 规格主要尺寸 Main size

DN		10K							
mm	Im	L	D	D1	D2	b	n-φd	H	D0
50	2	203	155	120	100	16	4-φ19	360	200
65	2 1/2	216	175	140	120	18	4-φ19	380	200
80	3	241	185	150	130	18	8-φ19	415	250
100	4	292	210	175	155	18	8-φ19	465	250
125	5	356	250	210	185	20	8-φ23	515	300
150	6	406	280	240	215	22	8-φ23	545	350
200	8	495	330	290	265	22	12-φ23	675	450
50	2	267	155	120	100	18	8-φ19	420	200
65	2 1/2	292	175	140	120	20	8-φ19	465	250
80	3	318	200	160	135	22	8-φ23	490	300
100	4	356	225	185	160	24	8-φ23	590	350
125	5	400	270	225	195	26	8-φ25	690	400
150	6	444	305	260	230	28	12-φ25	760	450
200	8	559	350	305	275	30	12-φ25	1070	450